



Black Snail Patterns

by R. Kohlberger



# #0217 Stock Collar 1830

Size 15" neck size

Größe 39cm Halsumfang



# #0217 Stock Collar 1830 Size 15" (39cm) neck size / Kragenweite

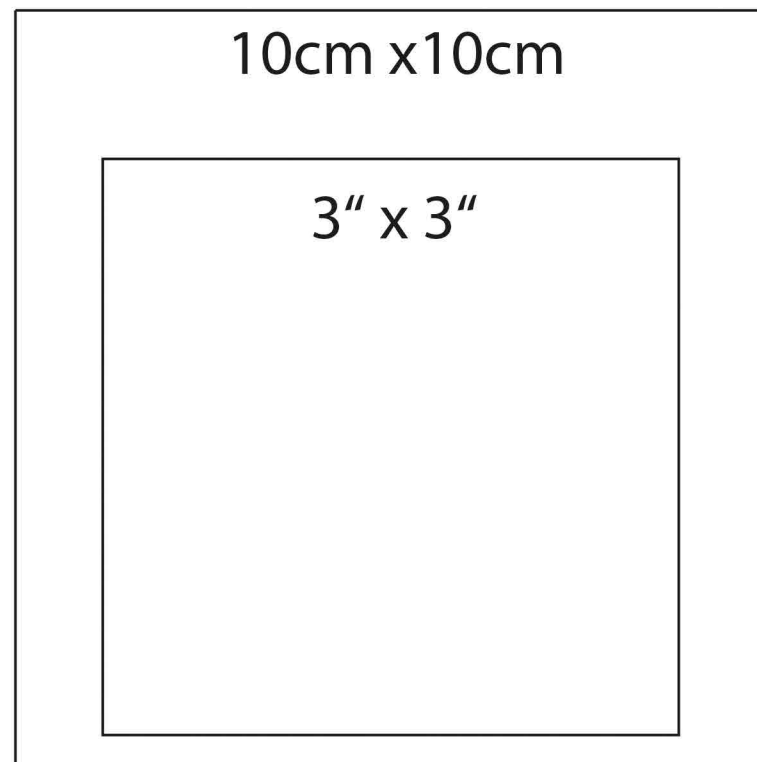
Pieces:

- #1 collar: cut 2 interlining without seam allowance  
cut 1 fashion fabric and 1 lining with seam allowance
- #2 belt: cut 2 linen without seam allowance  
cut 2 fashion fabric with seam allowance
- #3 bow straps: cut 2 fashion fabric on folded fabric
- #4 + #5 buckel straps: cut 1 fashio fabric + 1 lining each
- #6 inner collar: cut 4
- #7 collar stand: cut 2 on folded fabric

Teile:

- #1 Kragen: 2x Einlage ohne Nahtzugabe  
1x Oberstoff + 1x Futter mit Nahtzugabe
- #2 Gürtel: 2x Leinen ohne Nahtzugabe  
2x Oberstoff mit Nahtzugabe
- #3 Schleife: 2x Oberstoff im Stoffbruch
- #4 + #5: Streifen für Schnalle: je 1x Oberstoff + 1x Futter
- #6: Innenkragen: 4x
- #7: Kragensteg: 2x im Stoffbruch

1



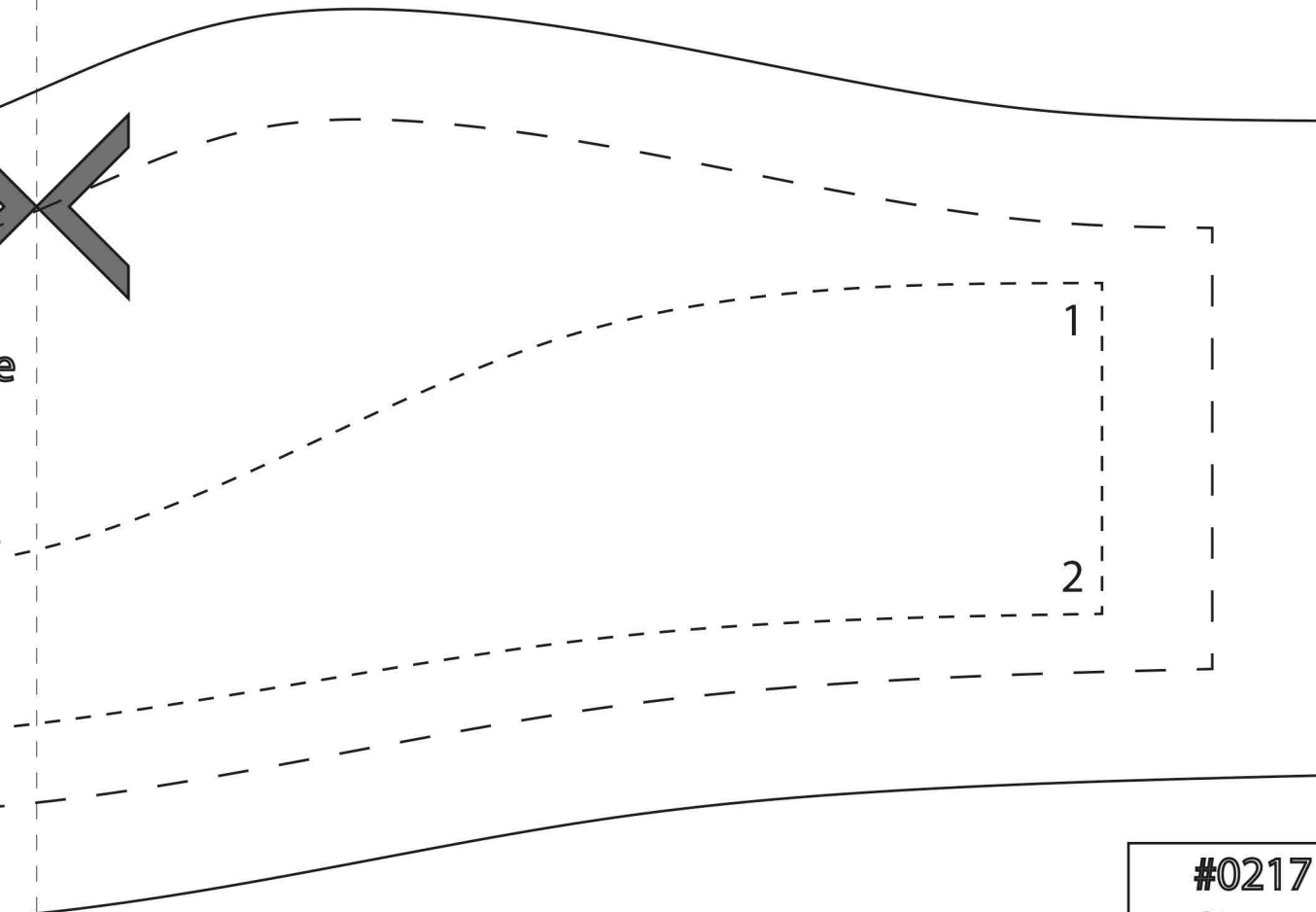


#0217 Stock Collar 1830  
Size 15" / 39 cm neck size  
# 1  
Collar / Kragen  
© by Black Snail Patterns

1

2

2



**#0217 Stock Collar 1830**  
Size 15" / 39 cm neck size  
**# 4**  
buckle belt / Schnallgurt  
© by Black Snail Patterns

**3**



**#0217 Stock Collar 1830**  
Size 15" / 39 cm neck size  
**# 5**  
buckle belt / Schnallgurt  
© by Black Snail Patterns

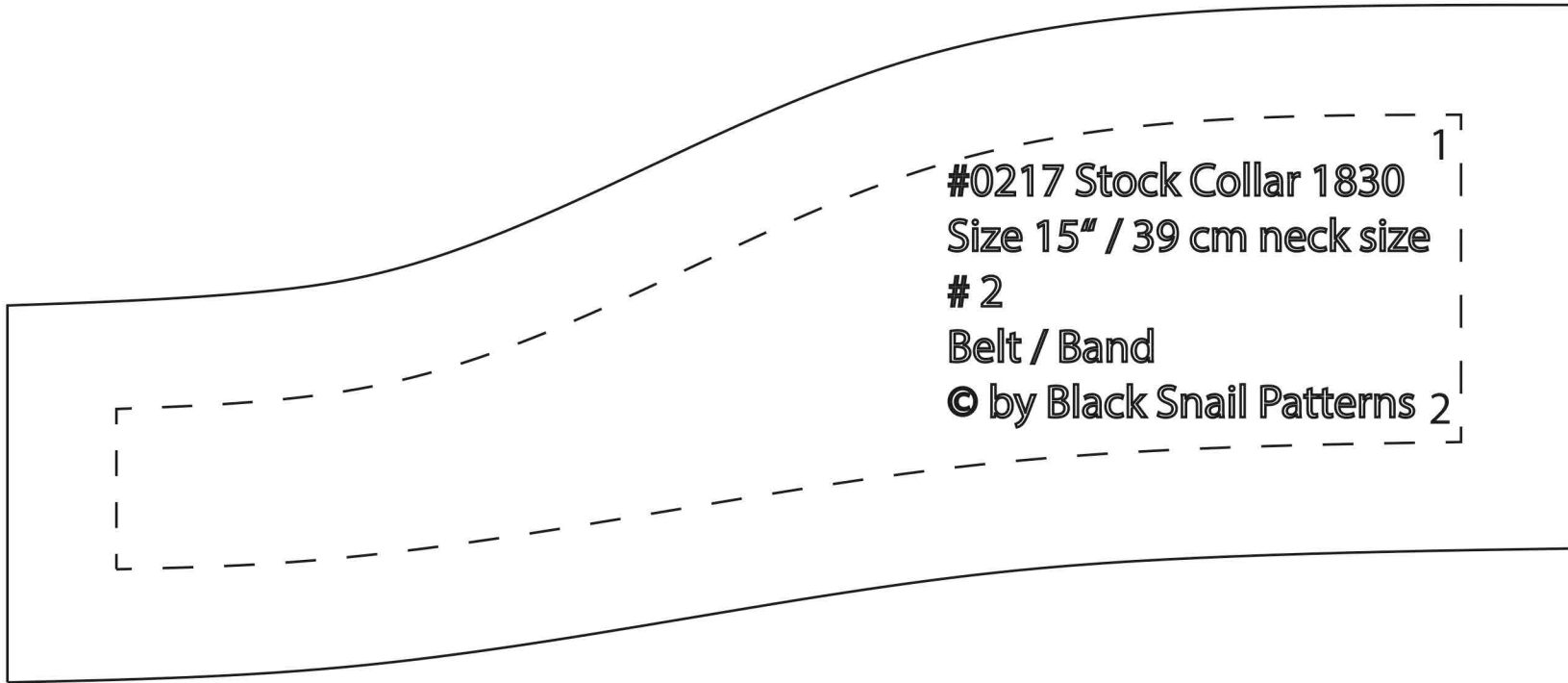
4

center front  
vordere Mitte

3

#0217 Stock Collar 1830  
Size 15" / 39 cm neck size  
# 7  
collar stand / Kragensteg  
© by Black Snail Patterns

4



#0217 Stock Collar 1830  
Size 15" / 39 cm neck size  
# 2  
Belt / Band  
© by Black Snail Patterns

1

2

center front  
vordere Mitte

#0217 Stock Collar 1830  
Size 15" / 39 cm neck size

# 3

Bow / Schleife

cut 2 on fold fabric / 2x im Stoffbruch

© by Black Snail Patterns

5

6

3

4

#0217 Stock Collar 1830  
Size 15" / 39 cm neck size  
# 6  
inner collar / Innenkragen  
© by Black Snail Patterns