

# 1

## Bustle pad:

Fashion fabric: 1 yd. 55" wide (4m 140cm wide)

Batting: 1 yd. 55" wide (4m 140cm wide)

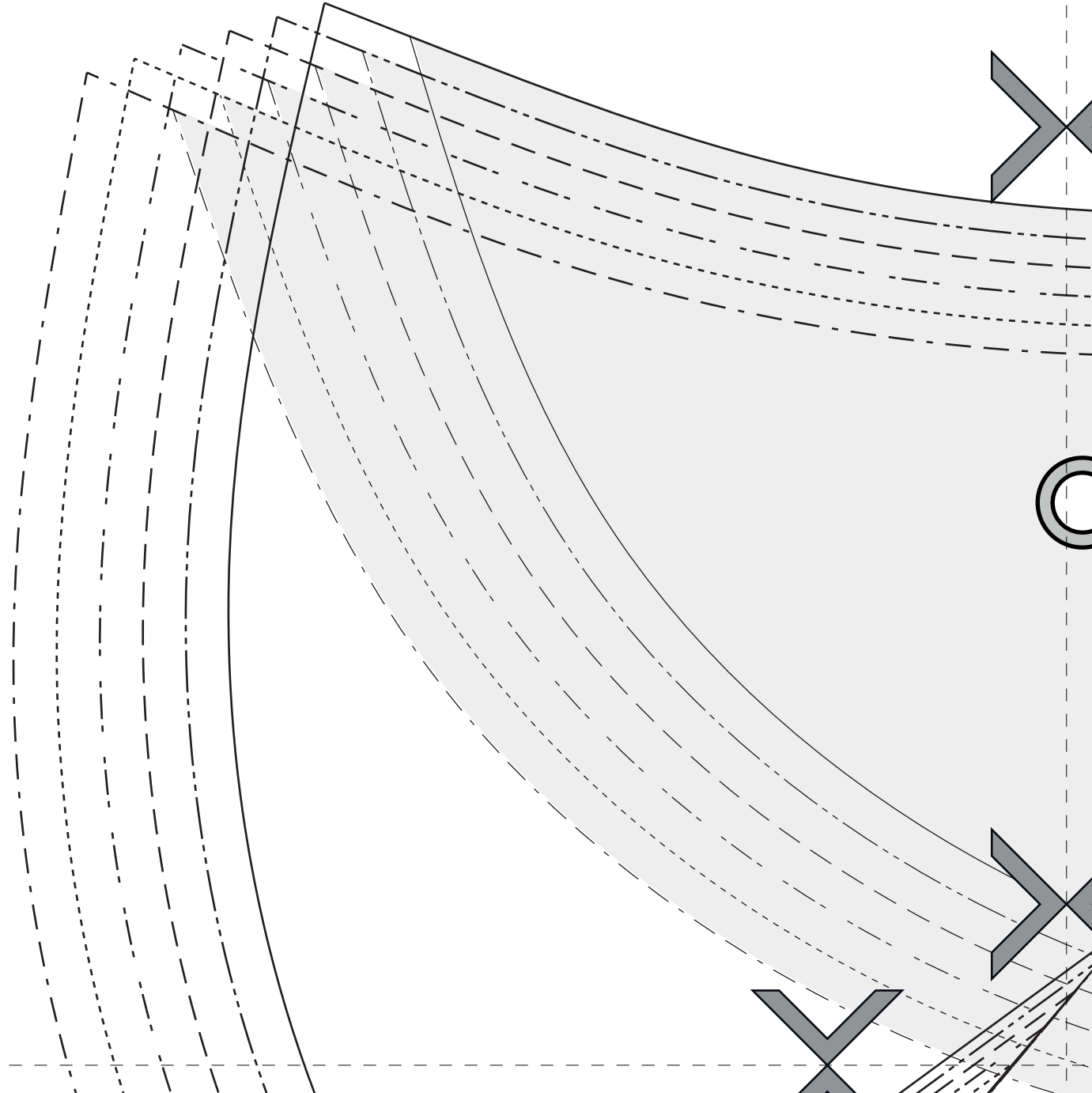
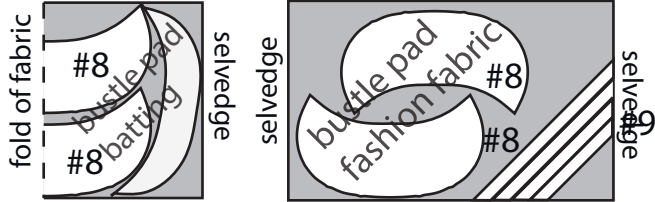
Twill tape 3/8" (1cm) wide: 1yd. (1m)

Eyes with washers 5/8" (1,5cm)

## Pieces:

#8: cut 2 fabric + 2 batting on fold fabric

#9: bias binding



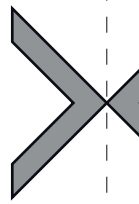


Bustle Pad 1890 - 1910  
Size US 8-18 / Grösse EU 34-44

# 8  
bustle pad / Pokissen  
cut 2 on fold fabric / 2x im Stoffbruch  
© by Black Snail Patterns

2

Stoffbruchschneiden

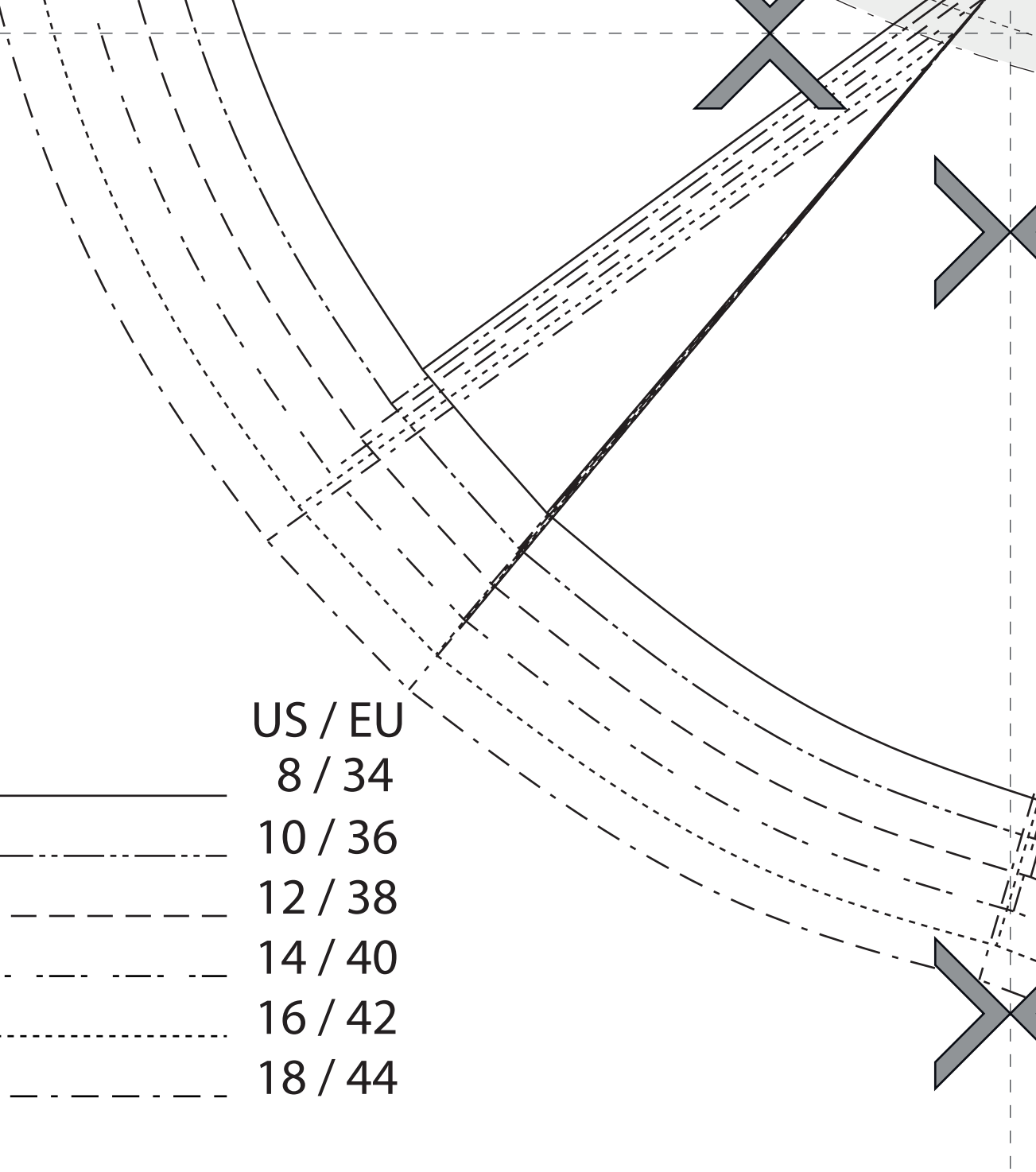
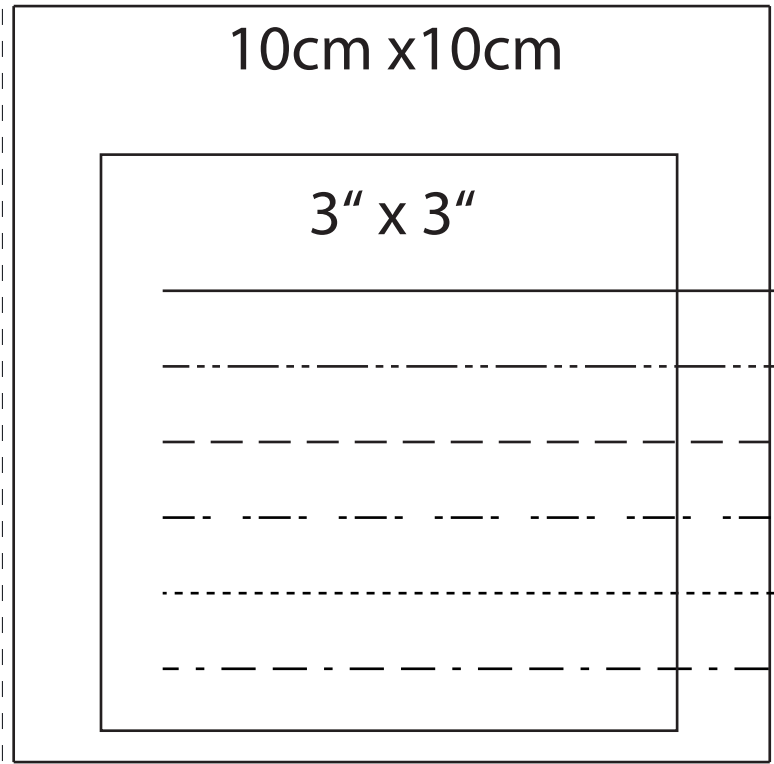


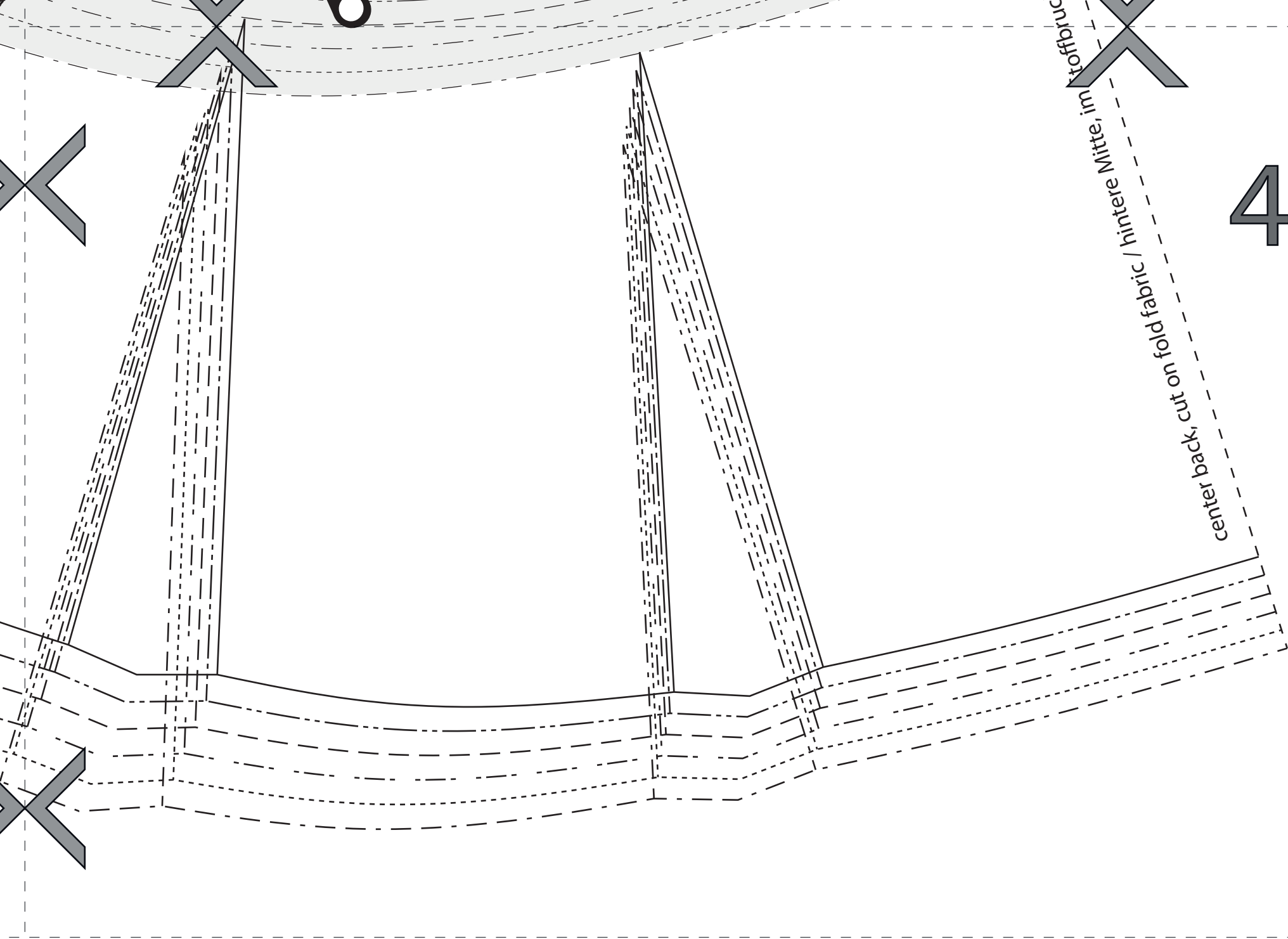
3

10cm x10cm

3" x 3"

- US / EU
- 8 / 34
- 10 / 36
- 12 / 38
- 14 / 40
- 16 / 42
- 18 / 44





4

center back, cut on fold fabric / hintere Mitte, im Stoffrand